

Interface Masters



Innovative Network Solutions

OVERVIEW

Interface Masters Technologies presents Tahoe 2532 White Box Switch is a flexible 100GbE switch system based on Broadcom's StrataXGS Tomahawk switch with 3.2Tb of bandwidth. The system is targeted to be used as 32ports of 100GE Row or Spine Switches. It is designed to be compatible with 19" Enterprise Rack specifications and the 21" OCP Open Rack specification. Interface Masters designed and built the initial switch contribution for the Open Compute Project.

The Tahoe 2532 platform is designed for maximum flexibility in a 1U form factor. This is a platform that can support multiple CPU and mass storage options including x86 and PowerPC. The Tahoe 2532 supports Dual AC or DC redundant removable power supplies for maximum reliability.

Interface Masters' Board keeper utility is a set of Linux drivers that provides all the necessary interfaces for hardware configuration and system health verification.



Tahoe 2532 (ISO View)

PRODUCT FEATURES

Broadcom Trident II+ StrataXGS

- 32 ports of 100 GbE QSFP28 ports

Multi Control plane processor options

- x86 and PowerPC

Dual redundant power supplies

- 1+1 redundant, hot swappable power supplies
- AC and DC options

Field Replaceable Fans

- 4 dual hot swappable fan assemblies
- Airflow front to back or back to front

Management Interfaces

- RS232 CLI Interface
- 10/100/1000 management port
- Optional USB port

Lower OPEX with high efficiency power conversion

- High efficiency internal components
- High efficiency AC/DC and DC/DC power supplies

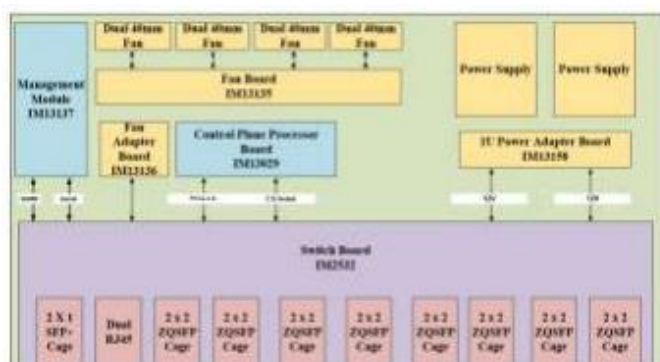
SOFTWARE DEVELOPMENT AND SUPPORT

White Box

- ONIE- Open Network Install Environment
- Linux- Debian and ubuntu
- SDK- Broadcom

Network Operating System

- Broadcom ICOS/OFDPA
- Custom development and support



Block Diagram of Tahoe 2532

ENVIRONMENTAL	
Operating Temperature	0° to 40 °C (32° to 104°F)
Operating Humidity	5 to 95%, non-condensing
Airflow	Front to Back
Typical Power- Direct Attached Cable	211 Watts
Maximum Power- Direct Attached Cable	325 Watts

ORDERING INFORMATION	
Part Number	Description
Tahoe 2532	32 ports of 100G QSFP28 ports
Options*	<ul style="list-style-type: none"> Control Processor Memory Mass Storage 1+1 redundant AC/DC and DC/DC power supplies Custom Configurations

DIMENSIONS (Preliminary)		
	Inches	Millimeter
Length	20.00	508.00
Height	1.75	44.45
Width	17.33	440.20

CUSTOMIZATION SERVICES

Hardware, Firmware, Linux O/S and application code development services available.



ABOUT INTERFACE MASTERS TECHNOLOGIES, INC.

Interface Masters Technologies is a leading provider of high-speed networking solutions focused on 1/10 /25/40/100/200 Gigabit Ethernet networking solutions. For over 25 years, Interface Masters Technologies has been providing innovative networking solutions with customization services to OEMs, large enterprises and sophisticated end users. Interface Masters Technologies provides Ethernet switches, appliances, server adapter cards with high port density, networking offload and bypass functionality. Company headquarters are located in San Jose, CA with satellite offices in Hong Kong and Europe.

Barefoot Tofino® is a trademark of Barefoot Networks.

XEON® D is trademark of Intel Corporation.

Virtex UltraScale® is a trademark of Xilinx Corporation.